

2. **Humidity**—Should be maintained between 50% and 60% to reduce the growth of bacteria and suppress static electricity
3. **Air flow**—The air handling system should provide for positive laminar airflow, a state of higher air pressure within the OR than in the outside corridors. This prevents contaminated air from entering the OR from other areas.
 - Each operating room should have 20 air exchanges per hour. Of these 20, a minimum of two must be fresh air exchanges.
 - Room air is filtered through high efficiency particulate air (HEPA) filter systems. These filter up to 99% of all particles larger than 0.3% micrometers.

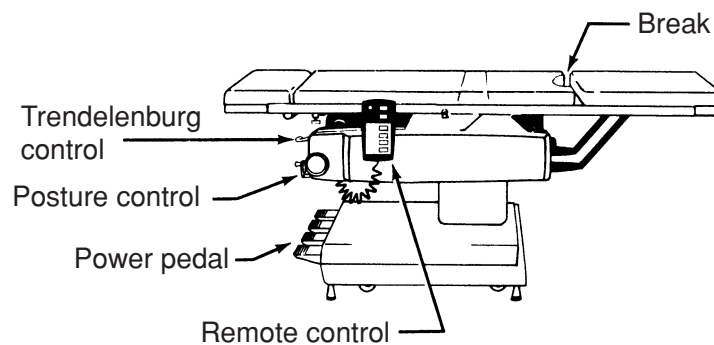
OBJECTIVE 4

Basic OR furniture and equipment typical to each OR

1. Tables

- Adjustable operating table—Designed to allow optimal patient positioning; accepts several accessories

Figure 2—Remote control operating table (most commonly used)



- Back table—Draped table holding extra sterile supplies and equipment for procedure
 - Utilized by the scrub person as part of the sterile field
 - Contains drapes, extra instruments, and sterile supplies
 - May be utilized in place of a Mayo stand in some cases